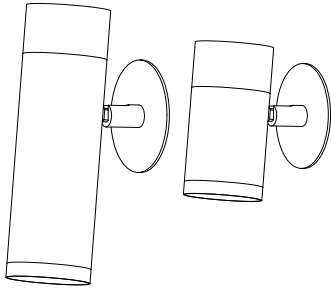


THORUP



PATRONE RECESSED WALL LAMP

CONTENT

- Wall lamp fitted with coverplate for box fit installation.
- 2 x screws
- White gloves (Wear when installing the brass and nickel-plated brass version, to avoid dark marks on the product).

SPARE PART NEEDED

- Bulb Type: LED GU10

INSTRUCTIONS

- Please read the instructions carefully before commencing assembly.
- Installation should be carried out in accordance with local safety regulations.
- Do not change the lightbulb while the fixture is switched on.
- The lamp is intended for indoor interior use only.
- In order to prevent damage, please check walls for cables before drilling holes.

MOUNTING

Semi-recessed. Prepared for box fit mounting fitted with an EU / PL box.

CRAFTED IN COPENHAGEN

Enjoy your new Patrone Lighting! Please ensure a smooth installation process and make the most of your product by following these instructions carefully.

Please note that each lamp is meticulously crafted in Copenhagen, resulting in a unique product with potential variations

It's important to install and use your Patrone Lighting correctly and only for its intended purpose. We recommend consulting a qualified electrician for installation.

Thorup cph cannot be held liable for any damages resulting from improper installation or modification of the lamp.

Technical Specifications:

LED GU10, max 4 Watts

Compatible with bulbs of energy classes A++

Designed for indoor use only

For any inquiries or assistance, please don't hesitate to contact us at info@thorupcph.com

MATERIALS

Brass is a natural material that develops a unique patina over time, enhancing its character. Exposure to air and humidity will cause brass to oxidize and discolor, which adds to its distinctive charm.

Due to the handcrafted process, each lamp may have slight variations, adding to its uniqueness.

CARE GUIDE

This product is made from solid brass. For routine cleaning, gently wipe with a soft, dry cloth. Avoid using sponges, polishing creams, or abrasive cleaners. To maintain the brightness and remove spots and stains from the solid brass version, we recommend using our Brass Care Kit.

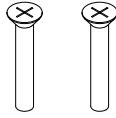
For additional details on product care and spare parts, please visit thorupcopenhagen.com/care-guide



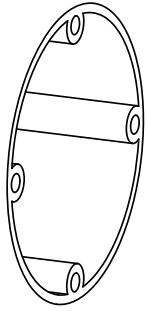
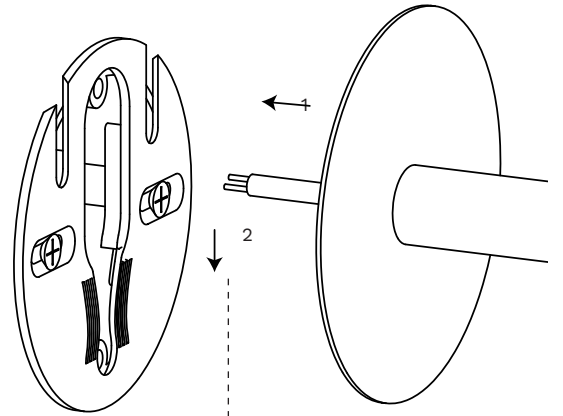
Tools included:



PL / EU mounting plate

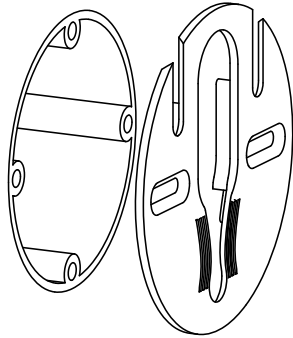


Screw x 2



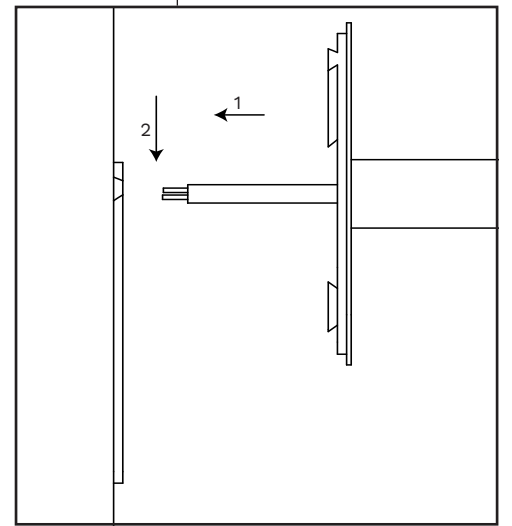
Step 1

Designed to be fitted directly onto a pre-installed PL/EU box. Pre-cut hole max D68 mm.



Step 2

Use the included screws to mount the mounting plate.



Step 3

Connect the lamp's wires to the wires in the wall box. Then, slide the lamp onto the mounting plate.

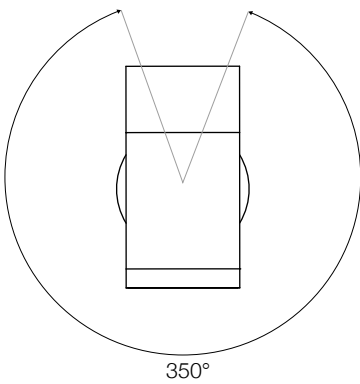
Adjustment options

Utilize the tiltable and rotatable neck to adjust the shade to your desired angle.

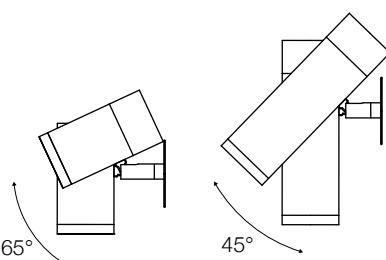
Rotation tilt angle: 0-350°

Wall Lamp 12 cm: 0-65°

Wall Lamp 20 cm: 0-45°



350°

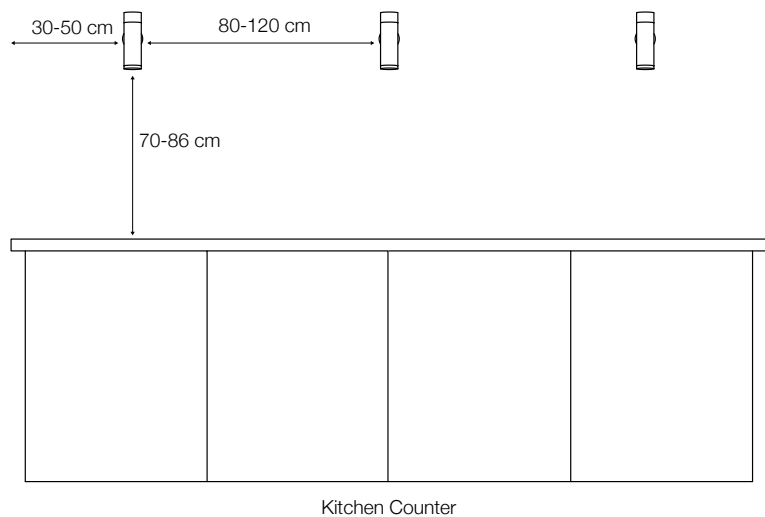


65°

45°

Spacing guide

We recommend using these measurements as a guide when installing Patrone Wall Lamp above your kitchen counter.



Kitchen Counter